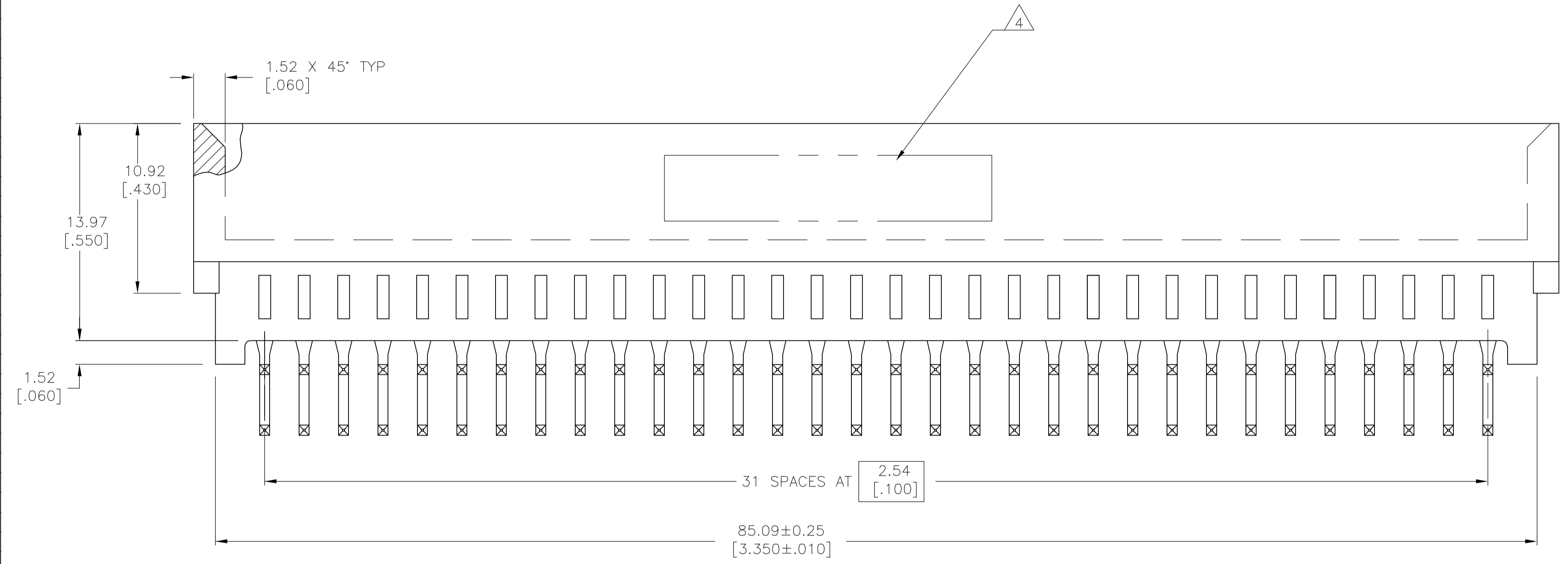
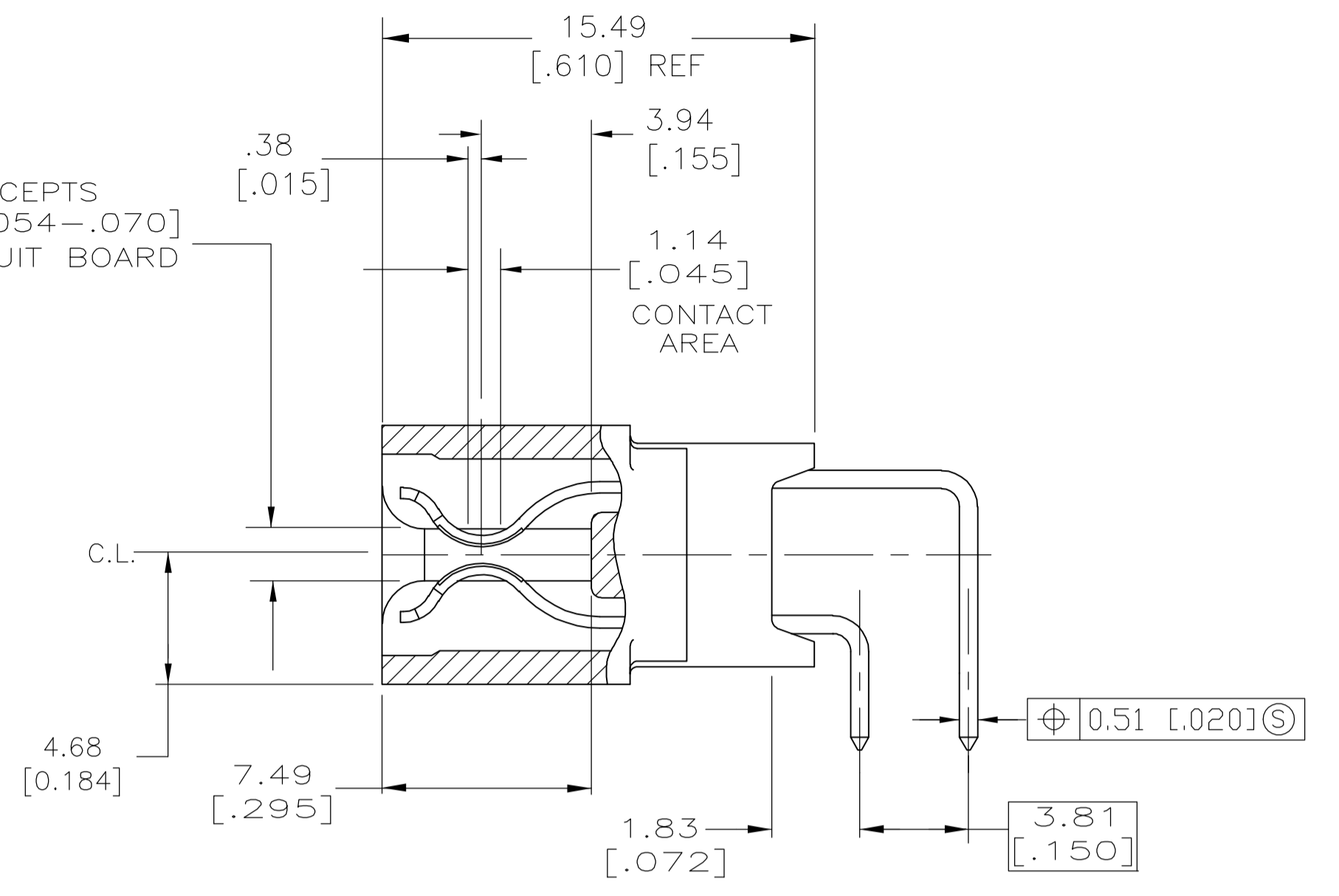


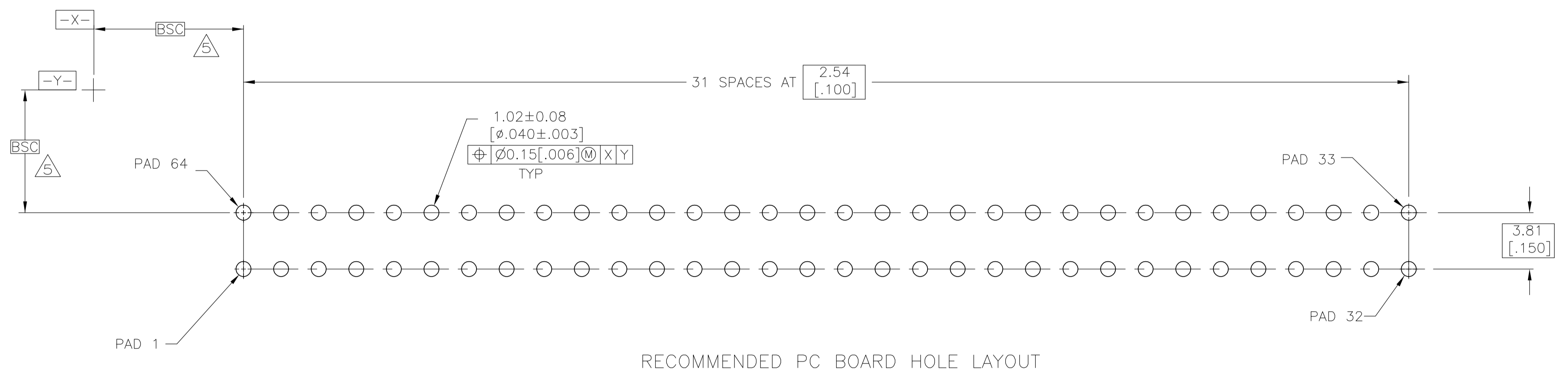
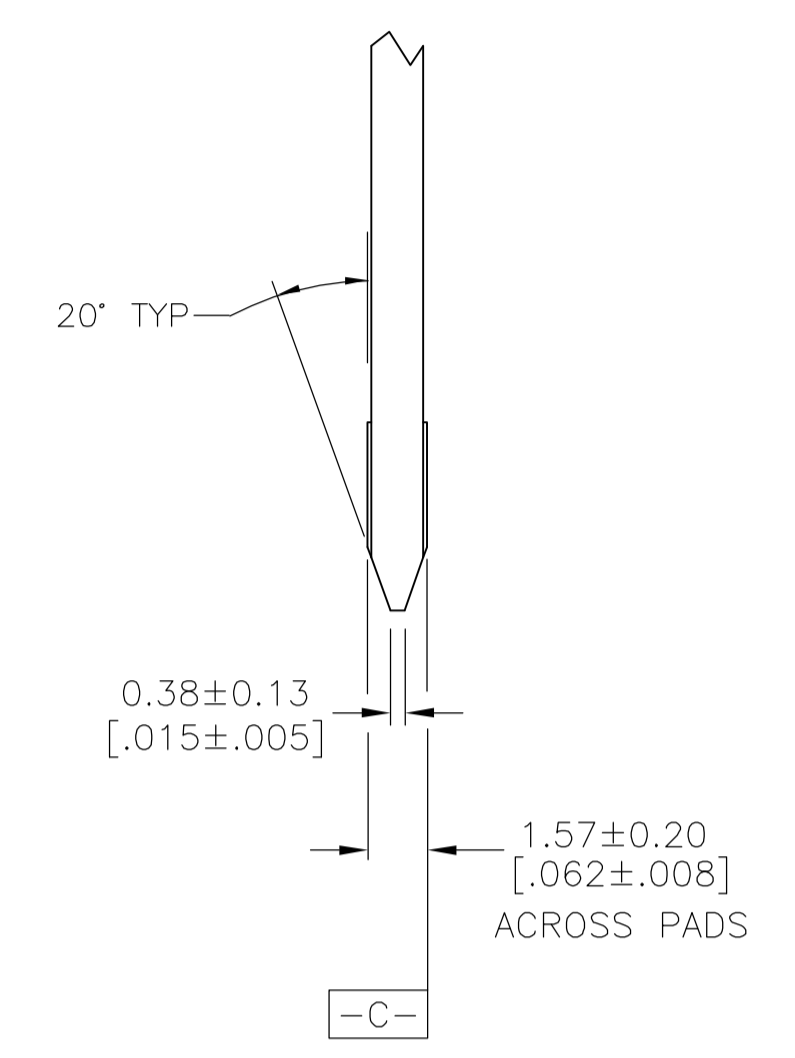
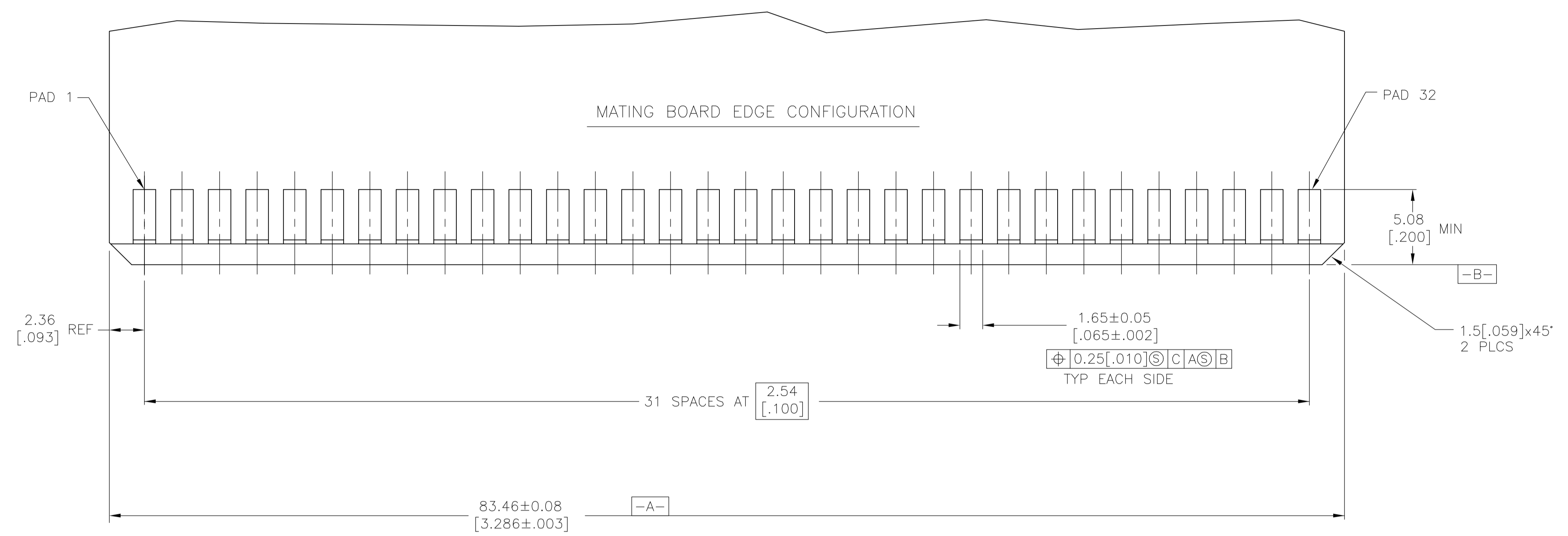
CARD SLOT ACCEPTS  
 1.37-1.78 [.054-.070]  
 PRINTED CIRCUIT BOARD



- HOUSING: GLASS FILLED POLYESTER, BLACK.
  - CONTACT: HIGH CONDUCTIVITY COPPER ALLOY.  
 NICKEL PLATE .00127 [.000050] MIN - ALL OVER.  
 MATTE TIN PLATE .00254 [.000100] MIN - SOLDER POSTS.  
 GOLD PLATE .00038 [.000015] MIN - MATING AREA.
  - NICKEL PLATE PER MIL-G-45204  
 GOLD PLATE PER QQ-N-290
- ⚠ TYCO PART NUMBER AND DATE CODE MAY BE MARKED IN APPROXIMATE AREA SHOWN, EITHER SIDE.  
 ⚠ DATUMS PLUS BASIC DIMENSIONS ESTABLISHED BY CUSTOMER.

1761468-1  
 PART NUMBER

THIS DRAWING IS A CONTROLLED DOCUMENT.		DW	R. GRZYBOWSKI	21SEPT04	Tyco Electronics Corporation Harrisburg, PA, 17105-3608
		CHK	A. FRANTUM	21SEPT04	
DIMENSIONS: mm [INCHES]		TOLERANCES UNLESS OTHERWISE SPECIFIED:		NAME	
0 PLC ± -		1 PLC ± -		PRODUCT SPEC	
1 PLC ± -		2 PLC ± .13[.005]		108-9039	
2 PLC ± -		3 PLC ± -		APPLICATION SPEC	
3 PLC ± -		4 PLC ± -		114-13018	
4 PLC ± -		ANGLES ± -		SIZE	
MATERIAL SEE NOTE 1 & 2		FINISH SEE NOTE 2 & 3		DRAWING NO	
				A1 00779	
				DRAWING NO	
				1761468	
				RESTRICTED TO	
				-	
				CUSTOMER DRAWING	
				SCALE 5:1	
				SHEET 1 OF 2	
				REV C	



THIS DRAWING IS A CONTROLLED DOCUMENT.		DWG: R. GRZYBOWSKI 21SEPT04		Tyco Electronics Corporation Harrisburg, PA, 17105-3608	
		CHK: A. FRANTUM 21SEPT04			
DIMENSIONS: mm [INCHES]		TOLERANCES UNLESS OTHERWISE SPECIFIED:		NAME: A. FRANTUM 21SEPT04	
		0. PLC ± -		PRODUCT SPEC: 108-9039	
		1. PLC ± -		APPLICATION SPEC: 114-13018	
		2. PLC ± .13[.005]		SIZE: A1	
		3. PLC ± -		CAGE CODE: 00779	
		4. PLC ± -		DRAWING NO: 1761468	
		ANGLES ± ± °		RESTRICTED TO: -	
MATERIAL: SEE SHEET 1		FINISH: SEE SHEET 1		WEIGHT: -	
		CUSTOMER DRAWING		SCALE: 5:1 SHEET 2 OF 2 REV C	